

# CrystaLatch™ 1x8 5W High Power Series Fiber Optic Switch

(SM High Power, SM High Power Bidirectional)

(Protected by U.S. patents 7224860, 6757101, 6577430 and pending patents)



DATASHEET

BUY NOW



## Features

- High Speed
- Non-Mechanical
- High Reliability
- Fail-Safe Latching
- Low Insertion Loss
- Rugged
- Compact
- Cost Effective
- Direct Low Voltage Drive

## Applications

- Optical Signal Routing
- Network Protection
- Burst Switching
- Configurable Add/Drop
- Signal Monitoring
- Instrumentation

The CrystaLatch™ 1x8 5W High Power Series fiber optical switch connects optical channels by redirecting an incoming optical signal into a selected output fiber. This is achieved using patented non-mechanical configurations and activated via an electrical control signal. Latching operation preserves the selected optical path after the drive signal has been removed. The all solid state CL 1x8 5W High Power fiber optic switch features low insertion loss, high extinction ratio, high channel isolation, and extremely high reliability and repeatability. It is designed to meet the most demanding switching requirements of continuous operation without failure, longevity, operation under shock/vibration environment and large temperature variations, and fast response time.

The switch also has build-in Circulator and isolator functions. Electronic driver is available for this series of switches.

The magneto-optical crystals used in the CL switches have no fatigue nor drift effect.

## Specifications

Parameter	Min	Typical	Max	Unit
Operation Wavelength <sup>[1]</sup>	1520	1550	1580	nm
	1295	1310	1325	nm
Insertion Loss <sup>[2]</sup>		1.7	2.7	dB
Cross Talk <sup>[2]</sup>	Bidirectional Series	35	45	dB
	Unidirectional Series	40	50	dB
Return Loss <sup>[2]</sup>	50	55		dB
Polarization Dependent Loss		0.15	0.35	dB
Polarization Mode Dispersion			0.2	ps
Optical Switching Speed (Rise, Fall)	5		10	μs
Repetition Rate		2K		Hz
Durability	10 <sup>15</sup>			cycle
Optical Power Handling			5	W
Operating Temperature <sup>[3]</sup>	-5		70	°C
Storage Temperature	-40		85	°C
Fiber Type	SMF-28, Panda PM, or equivalent			

### Notes:

[1]. Agiltron can achieve same SPEC at L band

[2]. Measured without connectors

[3]. The premium versions with the operating temperature larger than -5 ~ +70°C are available, please see the ordering information

**Legal notices:** All product information is believed to be accurate and is subject to change without notice. Information contained herein shall legally bind Agiltron only if it is specifically incorporated into the terms and conditions of a sales agreement. Some specific combinations of options may not be available. The user assumes all risks and liability whatsoever in connection with the use of a product or its application.

Rev 03/14/24

© Photonwares Corporation

+1 781-935-1200

sales@photonwares.com

www.agiltron.com

Information contained herein is deemed to be reliable and accurate as of the issue date. Photonwares reserves the right to change the design or specifications at any time without notice. Agiltron is a registered trademark of Photonwares Corporation in the U.S. and other countries.



# CrystaLatch™ 1x8 5W High Power Series Fiber Optic Switch



(SM High Power, SM High Power Bidirectional)

(Protected by U.S. patents 7224860, 6757101, 6577430 and pending patents)

## DATASHEET

### Electrical Driving Information (continue)

Unidirectional series CL 1x8, Switch Electrical Driving Table

Optical Path	Pin Group 1		Pin Group 2		Pin Group 3		Pin Group 4		Pin Group 5		Pin Group 6		Pin Group 7		Pin Group 8	
	Pin 1	2	3	4	5	6	7	8	9	10	11	12	13	14	15	16
Common → Port 1	+ [1]	0	+	0	0	+	0	+	+	0	+	0	0	+	+	0
Common → Port 2	0	+	0	+	0	+	0	+	+	0	+	0	0	+	+	0
Common → Port 3	+	0	0	+	0	+	0	+	+	0	+	0	+	0	0	+
Common → Port 4	0	+	+	0	0	+	0	+	+	0	+	0	+	0	0	+
Common → Port 5	+	0	0	+	+	0	+	0	+	0	0	+	0	+	0	+
Common → Port 6	0	+	+	0	+	0	+	0	+	0	0	+	0	+	0	+
Common → Port 7	+	0	0	+	+	0	0	+	0	+	+	0	0	+	0	+
Common → Port 8	0	+	+	0	+	0	0	+	0	+	+	0	0	+	0	+

[1]. "+": 2.25~2.75V Pulse, Topical is 2.5V pulse

Unidirectional series CL 8x1 Switch Electrical Driving Table

Optical Path	Pin Group 1		Pin Group 2		Pin Group 3		Pin Group 4		Pin Group 5		Pin Group 6		Pin Group 7		Pin Group 8	
	Pin 1	2	3	4	5	6	7	8	9	10	11	12	13	14	15	16
Common → Port 1	0	+ [1]	0	+	+	0	+	0	0	+	+	0	+	0	0	+
Common → Port 2	+	0	+	0	+	0	+	0	0	+	+	0	+	0	0	+
Common → Port 3	0	+	+	0	+	0	+	0	0	+	+	0	0	+	0	+
Common → Port 4	+	0	0	+	+	0	+	0	0	+	+	0	0	+	0	+
Common → Port 5	0	+	+	0	0	+	0	+	+	0	+	0	0	+	0	+
Common → Port 6	+	0	0	+	0	+	0	+	+	0	+	0	0	+	0	+
Common → Port 7	0	+	+	0	0	+	+	0	+	0	+	0	0	+	0	+
Common → Port 8	+	0	0	+	0	+	+	0	+	0	+	0	0	+	0	+

[1]. "+": 2.25~2.75V Pulse, Topical is 2.5V pulse

**Note:**

The driving voltage value is transient voltage with a full load. The driver circuitry needs to provide sufficient current (~300mA) during the switching. Inside the switch core is an electromagnet with a residual magnetic field. The residual magnetic field will be established when an electrical current flows in one direction through the coil for a sufficiently long period. The residual magnetic field latches the switch state even without applying a voltage (the current flow stopped). Flowing a current in the opposite direction for a sufficient time changes the switch stage by establishing a reversal magnetic field. The coil is forgiving to the driver unless one burns it by applying a higher voltage or a current for too long (day). The switch can also be operated at high repetition rates of kHz, where the residual magnetic field may not be fully established.

# CrystaLatch™ 1x8 5W High Power Series Fiber Optic Switch

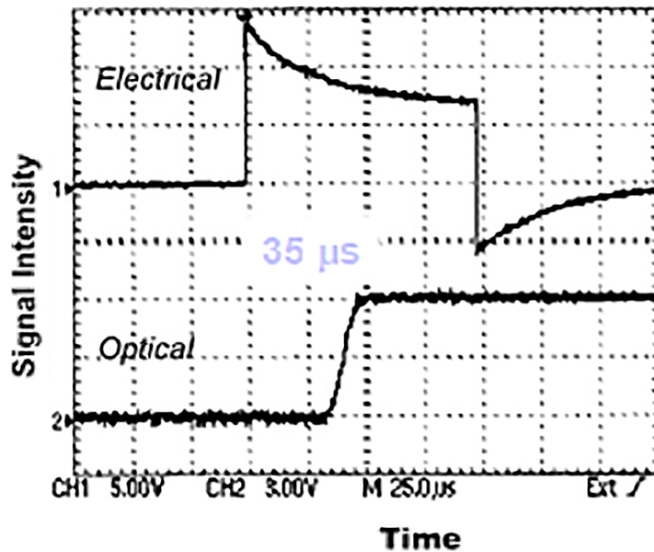


(SM High Power, SM High Power Bidirectional)

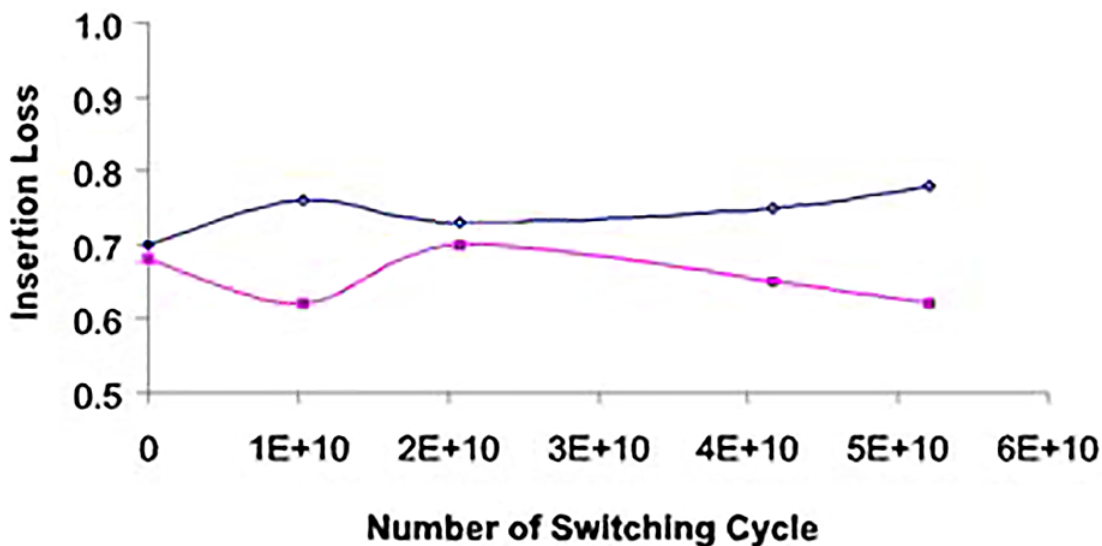
(Protected by U.S. patents 7224860, 6757101, 6577430 and pending patents)

## DATASHEET

### Typical Switching Response



### Typical Loss Change of 1x2 vs Switching Numbers



# CrystaLatch™ 1x8 5W High Power Series Fiber Optic Switch

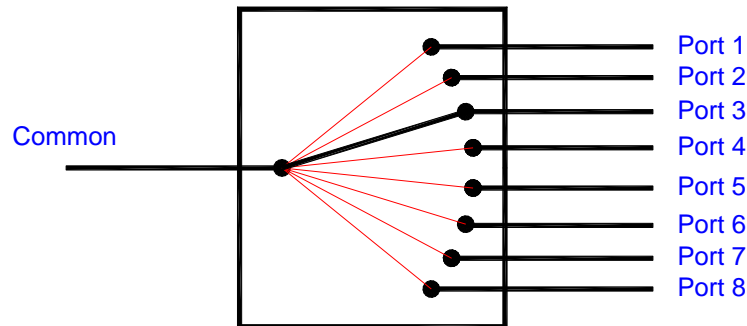


(SM High Power, SM High Power Bidirectional)

(Protected by U.S. patents 7224860, 6757101, 6577430 and pending patents)

## DATASHEET

### Functional Diagram



### Ordering Information

Prefix	Type	Wavelength	Switch	Package	Fiber Type	Fiber Cover	Fiber Length	Connector <sup>[9]</sup>
CLSW- <sup>[1]</sup>	1x8 = 18	1310 = 3	Dual Stage+5W = 4	Standard = 2	SMF-28 = 1	Bare fiber = 1	0.25m = 1	None = 1
CLPM- <sup>[2]</sup>	8x1 = 81	1550 = 5		-40~+85°C = A	Special = 0	900 μm tube = 3	0.5m = 2	FC/PC = 2
CLHP- <sup>[3]</sup>	1x7 = 17	Special = 0		-40~+70°C = B		Special = 0	1.0m = 3	FC/APC = 3
CLBD- <sup>[4]</sup>	7x1 = 71			-20~+85°C = C			Special = 0	SC/PC = 4
CLPH- <sup>[5]</sup>	1x6 = 16			-20~+70°C = D				SC/APC = 5
CLHB- <sup>[6]</sup>	6x1 = 61			Special = 0				ST/PC = 6
CLPB- <sup>[7]</sup>	1x5 = 15							LC/PC = 7
CPHB- <sup>[8]</sup>	5x1 = 51 Special = 00							Duplex LC/PC = 8 LC/APC = A LC/UPC = U Special = 0

[1]. **CLSW**: CrystaLatch Dual Stage 1x8 5W **SWITCH**.

[2]. **CLPM**: CrystaLatch Dual Stage 1x8 5W **PM** Switch.

[3]. **CLHP**: CrystaLatch Dual Stage 1x8 5W **Power** Switch.

[4]. **CLBD**: CrystaLatch Dual Stage 1x8 5W **BIDIRECTIONAL** Switch.

[5]. **CLPH**: CrystaLatch Dual Stage 1x8 5W **PM High Power** Switch.

[6]. **CLHB**: CrystaLatch Dual Stage 1x8 5W **High Power Bidirectional** Switch.

[7]. **CLPB**: CrystaLatch Dual Stage 1x8 5W **PM Bidirectional** Switch.

[8]. **CPHB**: CrystaLatch Dual Stage 1x8 5W **PM High Power Bidirectional** Switch.

[9]. There isn't any connector in high power switches. Please contact us for high power connectors.

#### Fiber Core Alignment

Note that the minimum attenuation for these devices depends on excellent core-to-core alignment when the connectors are mated. This is crucial for shorter wavelengths with smaller fiber core diameters that can increase the loss of many decibels above the specification if they are not perfectly aligned. Different vendors' connectors may not mate well with each other, especially for angled APC.

#### Fiber Cleanliness

Fibers with smaller core diameters (<5 μm) must be kept extremely clean, contamination at fiber-fiber interfaces, combined with the high optical power density, can lead to significant optical damage. This type of damage usually requires re-polishing or replacement of the connector.

#### Maximum Optical Input Power

Due to their small fiber core diameters for short wavelength and high photon energies, the damage thresholds for device is substantially reduced than the common 1550nm fiber. To avoid damage to the exposed fiber end faces and internal components, the optical input power should never exceed 20 mW for wavelengths shorter 650nm. We produce a special version to increase the how handling by expanding the core side at the fiber ends.

# CrystaLatch™ 1x8 5W High Power Series Fiber Optic Switch



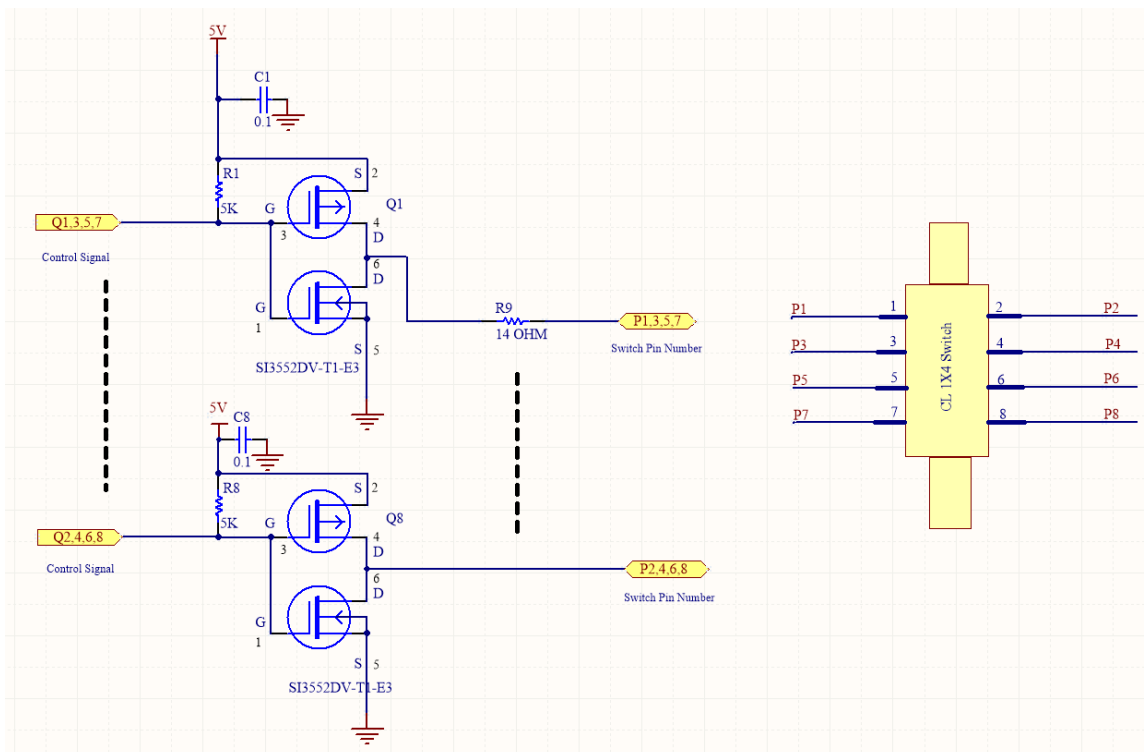
(SM High Power, SM High Power Bidirectional)

(Protected by U.S. patents 7224860, 6577101, 6577430 and pending patents)

## DATASHEET

### Driver Design Example for 1x4

A recommended +5VDC powered driving circuit is provided. The resistor network R1~R8 is to suppress the driving signal's voltage level to meet the "switch voltage" requirements. In specific applications, users can use lower voltage to eliminate the R1~R8. The Q1~Q8 is the control signal from either a function generator or a microcontroller general purpose I/O. The Q1-Q8 switching speed must meet the specific MOSFET switching requirement and CL 1x4 Switch specific requirement. Usually, the control signal speed is  $\leq 2\text{kHz}$ .



Usually, a clean power supply source will be sufficient. However, decoupling capacitors for the transistor supply rail are recommended depending on different applications. Minimum the current loop on the switching circuits will minimize the switching noise. For other layout recommendations, please refer to books or application notes from the IC manufacturer.